

# Storm S1/37



# Gmax



Professional LED luminaries ideal for efficiently illuminate building facades, sports fields, advertising signage, retail spaces, parking areas and industrial warehouses. The Storm series, achieves a high level of lighting performance, making it an effective and efficient alternative to traditional lamps.

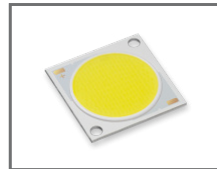


## Driver Info



Type:	Constant Current
Brand:	Meanwell ® LPF-40-42
DC Voltage:	42 V
Rated Current:	0.96 A
Rated Power:	40.32 W
Frequency Range:	47-63 Hz
Efficiency:	>0.95/230 VAC

## LED Info



Voltage:	31.8-37.5 V
Brand:	Citizen ® Citiled V5
Color Temp:	3000K, 4000K, 5000K
Color Accuracy:	>80 CRI
Efficacy Tc=25°:	144 Lm/W
Junction Temp.:	140°

## General Information

Code	Kelvin	Lumen (Tc=25°)	Watt	Weight
021SPT050A30G	3000	5,360 Lm	37 W	2.5 Kg
021SPT050A40G	4000	5,610 Lm	37 W	2.5 Kg
021SPT050A50G	5000	5,690 Lm	37 W	2.5 Kg

## General Characteristics

Power supply	100-277 VAC - Meanwell ® LPF-40-42
Protection index	IP 66 Dust and protected from water jet proof.
Power factor	95%
Ballast	Electronic ballast
Insulation class	I

## LED Characteristics

Tecnology	LED
LED type	Citizen ® Citiled CLU38-1208C1
CRI (Ra)	> 80
Life time estimated L70	> 100.000 h
3-step MacAdam ellipse	3,000 K ( 0.4339 , 0.4032 )
	4,000 K ( 0.3818 , 0.3796 )
	5,000 K ( 0.3446 , 0.3551 )

## Construction

Material body	Aluminum extruded
Glass	Temperated trasparent glass 5 mm
Gaskets	High-temperature silicone gaskets
Installation	Adjustable bracket installation
Operating temperature	-4° F / 104° F (-20° C / +40° C)

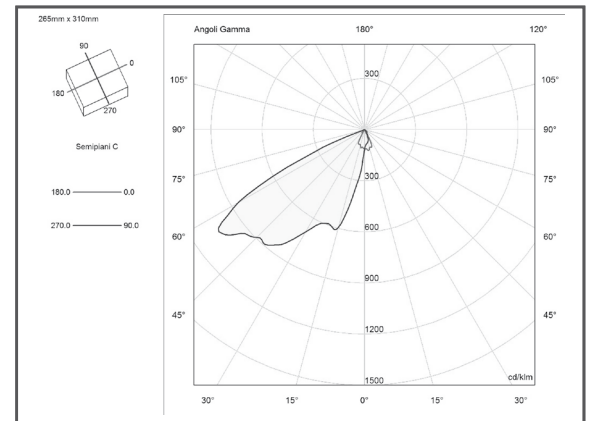
## Optics Characteristics

Light diffusion	Direct light
Optics type	Asymmetrical lens
Optics angle	Asymmetrical 55° beam angle

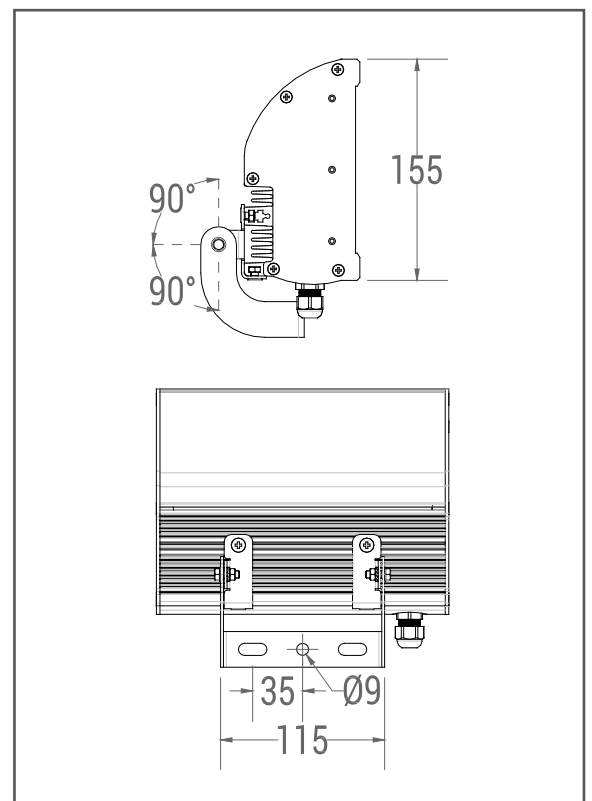
## Other

Warranty	3 years
Mercury and UV free, RoHS compliant	

## Light Curve



## Technical Drawing



# CE RoHS



Made in Gmax Italia headquarter  
Via G. Donizetti 5 - 20090 - Assago MI - Italy  
www.gmaxitaliasrl.it

The specifications are subject to change without notice.

Gmax Italia Headquarter | Via Gaetano Donizetti 5 | Assago | 20090 MI | T. +39-02-848-939-82 | W. www.gmaxitaliasrl.it

Professional LED luminaries ideal for efficiently illuminate building facades, sports fields, advertising signage, retail spaces, parking areas and industrial warehouses. The Storm series, achieves a high level of lighting performance, making it an effective and efficient alternative to traditional lamps.

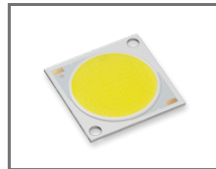


## Driver Info



Type:	Constant Current
Brand:	Meanwell ® ELG-75
Voltage:	27-54 V
Rated Current:	1.40 A
Rated Power:	75.60 W
Frequency Range:	47-63 Hz
Efficiency:	>0.95/230 VAC

## LED Info



Voltage:	31.8-37.5 V
Brand:	Citizen ® Citiled V5
Color Temp:	3000K, 4000K, 5000K
Color Accuracy:	>80 CRI
Efficacy Tc=25°:	149-155 Lm/W
Junction Temp.:	140°

## General Information

Code	Kelvin	Lumen (Tc=25°)	Watt	Weight
021SPT070A30G	3000	8,230 Lm	55 W	3.0 Kg
021SPT070A40G	4000	8,490 Lm	55 W	3.0 Kg
021SPT070A50G	5000	8,820 Lm	55 W	3.0 Kg

## General Characteristics

Power supply	100-277 VAC Meanwell ® ELG-75-C1400A
Protection index	IP 66 Dust and protected from water jet proof.
Power factor	95%
Ballast	Electronic ballast
Insulation class	I

## LED Characteristics

Tecnology	LED
LED type	Citizen ® Citiled CLU048-1212C4
CRI (Ra)	> 80
Life time estimated L70	> 100.000 h
3-step MacAdam ellipse	3,000 K ( 0.4339 , 0.4032 )
	4,000 K ( 0.3818 , 0.3796 )
	5,000 K ( 0.3446 , 0.3551 )

## Construction

Material body	Aluminum extruded
Glass	Temperated trasparent glass 5 mm
Gaskets	High-temperature silicone gaskets
Installation	Adjustable bracket installation
Operating temperature	-4° F / 104° F (-20° C / +40° C)

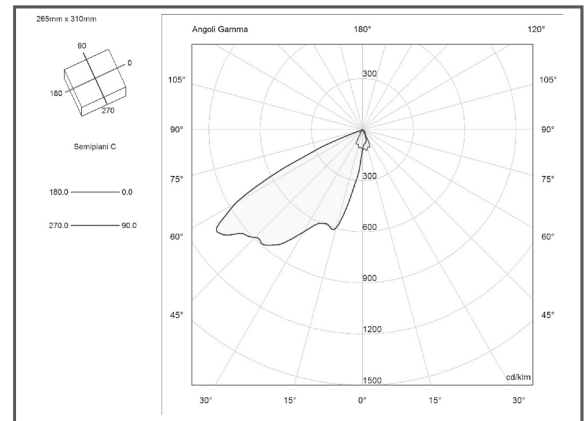
## Optics Characteristics

Light diffusion	Direct light
Optics type	Asymmetrical lens
Optics angle	Asymmetrical 55° beam angle

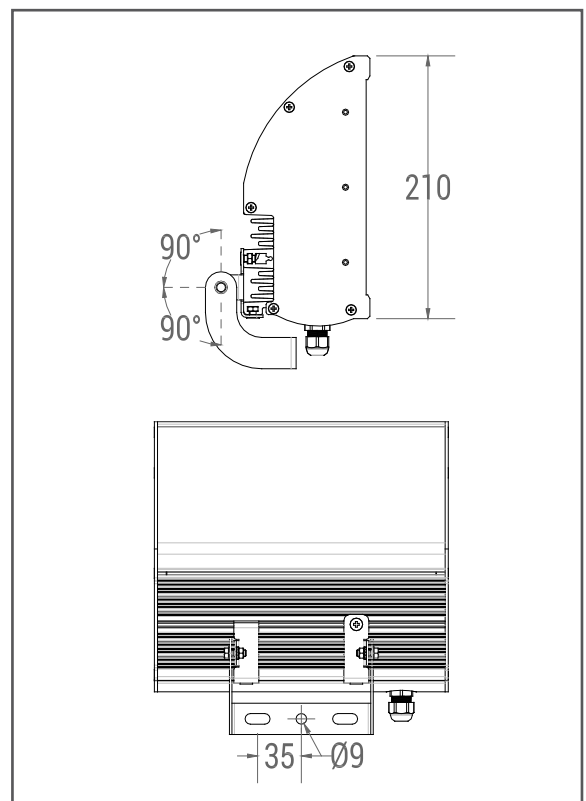
## Other

Warranty	3 years
Mercury and UV free, RoHS compliant	

## Light Curve



## Technical Drawing



**CE RoHS**

# Storm S3/70



# Gmax



Professional LED luminaries ideal for efficiently illuminate building facades, sports fields, advertising signage, retail spaces, parking areas and industrial warehouses. The Storm series, achieves a high level of lighting performance, making it an effective and efficient alternative to traditional lamps.

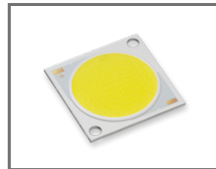


## Driver Info



Type:	Constant Current
Brand:	Meanwell ® ELG-75
Voltage:	27-54 V
Rated Current:	1.40 A
Rated Power:	75.60 W
Frequency Range:	47-63 Hz
Efficiency:	>0.95/230 VAC

## LED Info



Voltage:	47.8-56.2 V
Brand:	Citizen ® Citiled V5
Color Temp:	4000K, 5000K
Color Accuracy:	>80 CRI
Efficacy Tc=25°:	145-149 Lm/W
Junction Temp.:	140°

## General Information

Code	Kelvin	Lumen (Tc=25°)	Watt	Weight
021SPT100A40G	4000	10,710 Lm	70 W	7.0 Kg
021SPT100A50G	5000	10,870 Lm	70 W	7.0 Kg

## General Characteristics

Power supply	100-277 VAC - Meanwell ® ELG-75-C1400A
Protection index	IP 66 Dust and protected from water jet proof.
Power factor	95%
Ballast	Electronic ballast
Insulation class	I

## LED Characteristics

Tecnology	LED
LED type	Citizen ® Citiled CLU048-1812C4
CRI (Ra)	> 80
Life time estimated L70	> 100.000 h
3-step MacAdam ellipse	4,000 K center point x,y ( 0.3818 , 0.3796 ) 5,000 K center point x,y ( 0.3446 , 0.3551 )

## Construction

Material body	Aluminum extruded
Glass	Temperated trasparent glass 5 mm
Gaskets	High-temperature silicone gaskets
Installation	Adjustable bracket installation
Operating temperature	-4° F / 104° F (-20° C / +40° C)

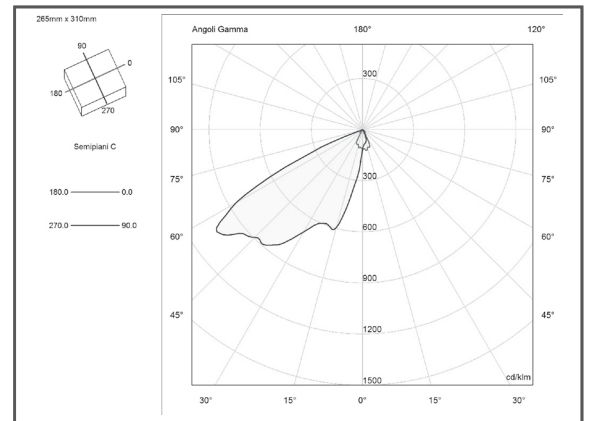
## Optics Characteristics

Light diffusion	Direct light
Optics type	Asymmetrical lens
Optics angle	Asymmetrical 55° beam angle

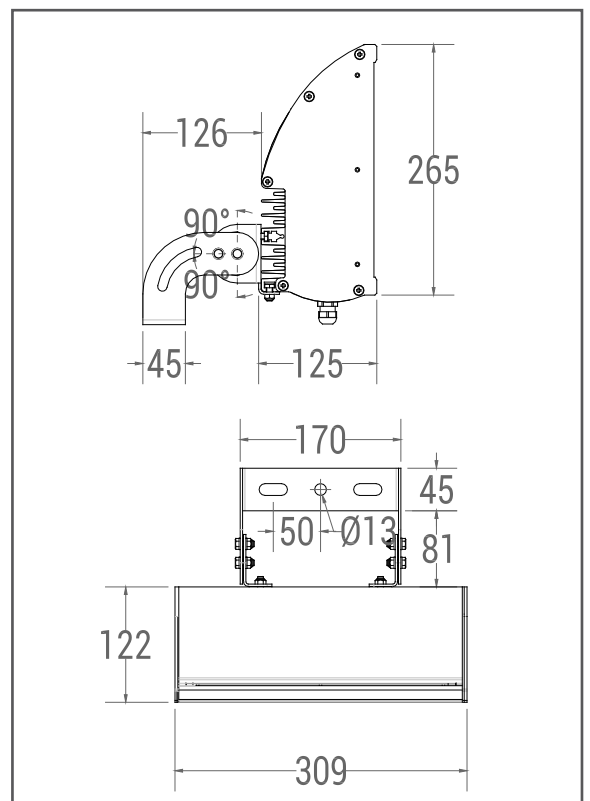
## Other

Warranty	3 years
Mercury and UV free, RoHS compliant	

## Light Curve



## Technical Drawing



# CE RoHS



Made in Gmax Italia headquarter  
Via G. Donizetti 5 - 20090 - Assago MI - Italy  
www.gmaxitaliasrl.it

The specifications are subject to change without notice.

Gmax Italia Headquarter | Via Gaetano Donizetti 5 | Assago | 20090 MI | T. +39-02-848-939-82 | W. www.gmaxitaliasrl.it

# Storm S4/130



# Gmax



Professional LED luminaries ideal for efficiently illuminate building facades, sports fields, advertising signage, retail spaces, parking areas and industrial warehouses. The Storm series, achieves a high level of lighting performance, making it an effective and efficient alternative to traditional lamps.

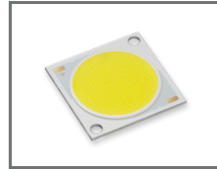


## Driver Info



Type:	Constant Current
Brand:	Meanwell ® ELG-150
Voltage:	54 V
Rated Current:	2.80 A
Rated Power:	151.20 W
Frequency Range:	47-63 Hz
Efficiency:	>0.95/230 VAC

## LED Info



Voltage:	47.8-56.2 V
Brand:	Citizen ® Citiled V5
Color Temp:	4000K, 5000K
Color Accuracy:	>80 CRI
Efficacy Tc=25°:	153-156 Lm/W
Junction Temp.:	140°

## General Information

Code	Kelvin	Lumen (Tc=25°)	Watt	Weight
021SPT150A40G	4000	20,640 Lm	130 W	7.0 Kg
021SPT150A50G	5000	20,950 Lm	130 W	7.0 Kg

## General Characteristics

Power supply	100-277 VAC - Meanwell ® ELG-150-54A
Protection index	IP 66 Dust and protected from water jet proof.
Power factor	95%
Ballast	Electronic ballast
Insulation class	I

## LED Characteristics

Tecnology	LED
LED type	Citizen ® Citiled CLU058-1825C4
CRI (Ra)	> 80
Life time estimated L70	> 100.000 h
3-step MacAdam ellipse	4,000 K center point x,y ( 0.3818 , 0.3796 ) 5,000 K center point x,y ( 0.3446 , 0.3551 )

## Construction

Material body	Aluminum extruded
Glass	Temperated trasparent glass 5 mm
Gaskets	High-temperature silicone gaskets
Installation	Adjustable bracket installation
Operating temperature	-4° F / 104° F (-20° C / +40° C)

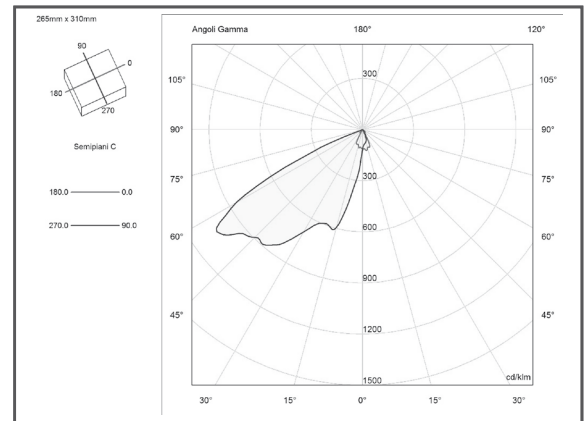
## Optics Characteristics

Light diffusion	Direct light
Optics type	Asymmetrical lens
Optics angle	Asymmetrical 55° beam angle

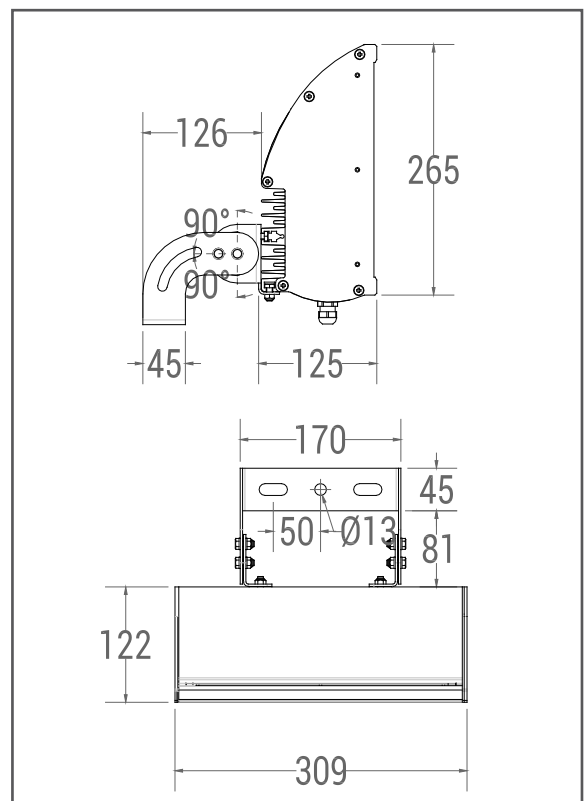
## Other

Warranty	3 years
Mercury and UV free, RoHS compliant	

## Light Curve



## Technical Drawing



# CE RoHS



Made in Gmax Italia headquarter  
Via G. Donizetti 5 - 20090 - Assago MI - Italy  
www.gmaxitaliasrl.it

The specifications are subject to change without notice.

Gmax Italia Headquarter | Via Gaetano Donizetti 5 | Assago | 20090 MI | T. +39-02-848-939-82 | W. www.gmaxitaliasrl.it

# Storm S5/215



# Gmax



Professional LED luminaries ideal for efficiently illuminate building facades, sports fields, advertising signage, retail spaces, parking areas and industrial warehouses. The Storm series, achieves a high level of lighting performance, making it an effective and efficient alternative to traditional lamps.



## Driver Info



Type:	Constant Current
Brand:	Meanwell ® HLG-240
Voltage:	42 V
Rated Current:	5.72 A
Rated Power:	240.24 W
Frequency Range:	47-63 Hz
Efficiency:	>0.95/230 VAC

## LED Info



Voltage:	38 V
Brand:	Bridgelux ® Vero 29
Color Temp:	4000K, 5000K
Color Accuracy:	>80 CRI (4000K)
Efficacy Tc=25°:	145 - 151 Lm/W
Junction Temp.:	150° C

## General Information

Code	Kelvin	Lumen (Tc=25°)	Watt	Weight
021SPT220A40G	4000	25,320 Lm	215 W	10.0 Kg
021SPT220A50G	5000	25,020 Lm	215 W	10.0 Kg

## General Characteristics

Power supply	100-277 VAC - Meanwell ® HLG-240-42A
Protection index	IP 66 Dust and protected from water jet proof.
Power factor	95%
Ballast	Electronic ballast
Insulation class	I

## LED Characteristics

Tecnology	LED
LED type	Bridgelux ® Vero 29 BXRC
CRI (Ra)	> 80 (4000 K) - >70 (5000 K)
Life time estimated L70	> 100.000 h
3-step MacAdam ellipse	4,000 K center point x,y ( 0.3818, 0.3797 ) 5,000 K center point x,y ( 0.3447, 0.3553 )

## Construction

Material body	Aluminum extruded
Glass	Temperated trasparent glass 5 mm
Gaskets	High-temperature silicone gaskets
Installation	Adjustable bracket installation
Operating temperature	-4° F / 104° F (-20° C / +40° C)

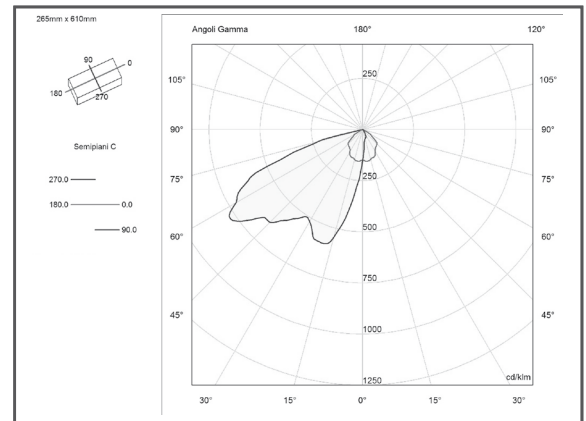
## Optics Characteristics

Light diffusion	Direct light
Optics type	Asymmetrical lens
Optics angle	Asymmetrical 55° beam angle

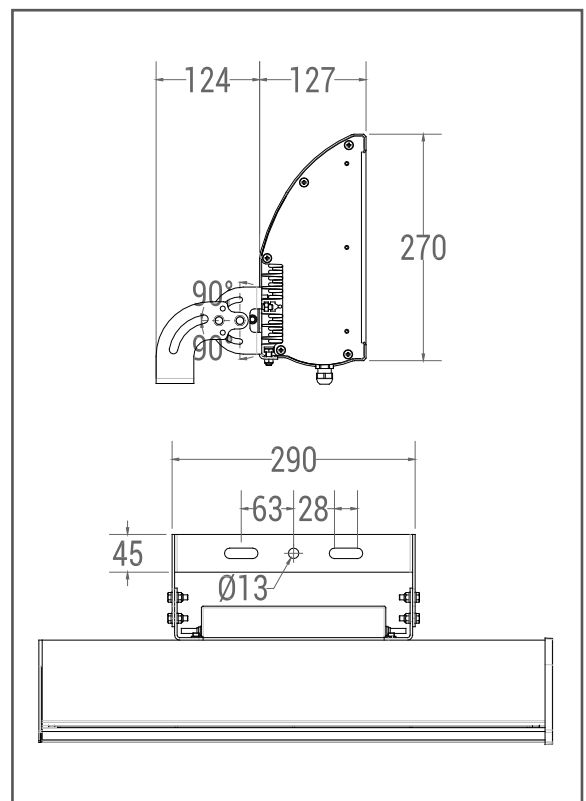
## Other

Warranty	3 years
Mercury and UV free, RoHS compliant	

## Light Curve



## Technical Drawing



# CE RoHS



Made in Gmax Italia headquarter  
Via G. Donizetti 5 - 20090 - Assago MI - Italy  
www.gmaxitaliasrl.it

The specifications are subject to change without notice.

Gmax Italia Headquarter | Via Gaetano Donizetti 5 | Assago | 20090 MI | T. +39-02-848-939-82 | W. www.gmaxitaliasrl.it

# Storm S6/240



# Gmax



Professional LED luminaries ideal for efficiently illuminate building facades, sports fields, advertising signage, retail spaces, parking areas and industrial warehouses. The Storm series, achieves a high level of lighting performance, making it an effective and efficient alternative to traditional lamps.

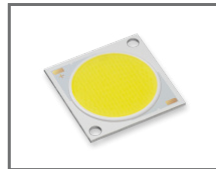


## Driver Info



Type:	Constant Current
Brand:	Meanwell ® HLG-320H
Voltage:	54 V
Rated Current:	5.95 A
Rated Power:	321.30 W
Frequency Range:	47-63 Hz
Efficiency:	>0.95/230 VAC

## LED Info



Voltage:	47.8-56.2 V
Brand:	Citizen ® Citiled V5
Color Temp:	4000K, 5000K
Color Accuracy:	>80 CRI
Efficacy Tc=25°:	153-156 Lm/W
Junction Temp.:	140°

## General Information

Code	Kelvin	Lumen (Tc=25°)	Watt	Weight
021SPT240A40G	4000	38,650 Lm	240 W	10.0 Kg
021SPT240A50G	5000	39,215 Lm	240 W	10.0 Kg

## General Characteristics

Power supply	100-277 VAC - Meanwell ® HLG-320H-54A
Protection index	IP 66 Dust and protected from water jet proof.
Power factor	95%
Ballast	Electronic ballast
Insulation class	I

## LED Characteristics

Tecnology	LED
LED type	Citizen ® Citiled CLU058-1825C4
CRI (Ra)	> 80
Life time estimated L70	> 100.000 h
3-step MacAdam ellipse	4,000 K center point x,y ( 0.3818 , 0.3796 ) 5,000 K center point x,y ( 0.3446 , 0.3551 )

## Construction

Material body	Aluminum extruded
Glass	Temperated trasparent glass 5 mm
Gaskets	High-temperature silicone gaskets
Installation	Adjustable bracket installation
Operating temperature	-4° F / 104° F (-20° C / +40° C)

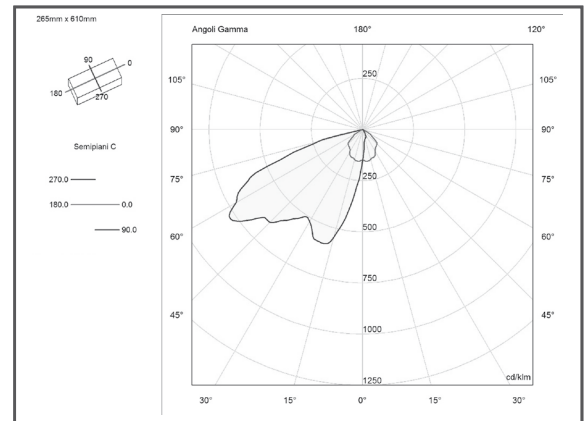
## Optics Characteristics

Light diffusion	Direct light
Optics type	Asymmetrical lens
Optics angle	Asymmetrical 55° beam angle

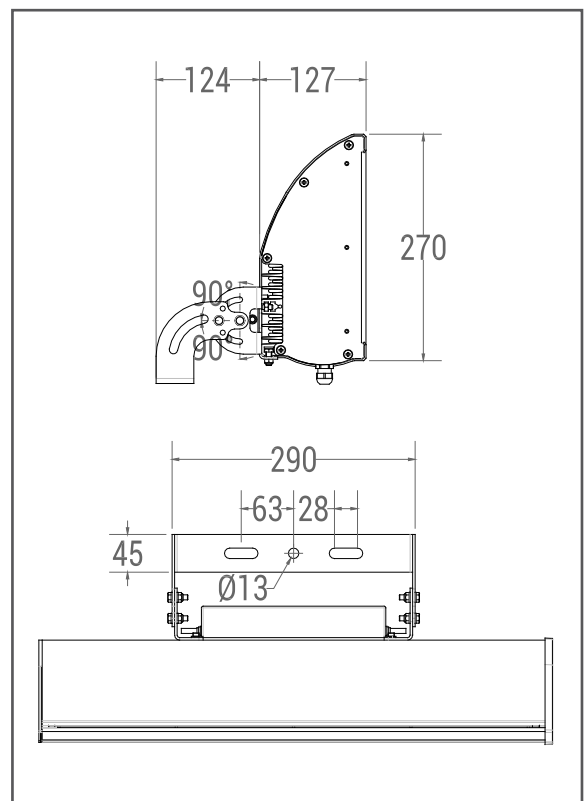
## Other

Warranty	3 years
Mercury and UV free, RoHS compliant	

## Light Curve



## Technical Drawing



# CE RoHS



Made in Gmax Italia headquarter  
Via G. Donizetti 5 - 20090 - Assago MI - Italy  
www.gmaxitaliasrl.it

The specifications are subject to change without notice.

Gmax Italia Headquarter | Via Gaetano Donizetti 5 | Assago | 20090 MI | T. +39-02-848-939-82 | W. www.gmaxitaliasrl.it