



SPECIFICATION

Rancher



WWW.MIGDAL-OR.ORG



Product Details

Features

- CE, RoHs, UL, DLC, TUV-GS, SAA approved
- IP69K IK10 protection
- Patent cylinder design, PC/PE housing + AL board
+ Stainless steel caps and clips
-
-
- Fit for both indoor and outdoor applications
- 110lm/w or 130lm/w available
- L80B50(Ta=25°C): 75,000hrs
- 5 years warranty
- PC material – UV Resistance
- PE material – Corrosion Resistance

Application

- Parking place
- Tunnel / Corridor / Gallery
- Railway / Bus / MTR Station
- Warehouse / Factory
- Food/Meat processing industry
- Chicken sheds
- Livestock farm
- Gas station / Car Washes

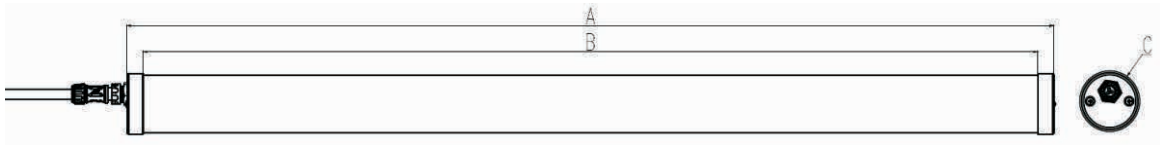


Operating: -20 ~ +40°C

Storage: -40 ~ +85°C



Dimension



| length | A | B | | C |
|--------|--------|--------|--------|--------|
| ——— | Min.mm | Min.mm | Max.mm | Min.mm |
| 600 | 600 | 544 | 547 | 75 |
| 1200 | 1200 | 1144 | 1147 | 75 |
| 1500 | 1500 | 1444 | 1447 | 75 |

Data Sheet

| Article Number | Size | Power | LEDs | Beam Angle | CRI | AC Input | DC Output | SDCM | Efficiency (±5%) | Lumen Output |
|----------------|------|-------|------|------------|-----|----------|-----------|------|------------------|--------------|
|----------------|------|-------|------|------------|-----|----------|-----------|------|------------------|--------------|

Standard lumen version>>>>>100~110lm/w with frosted cover, 110~120lm/w with transparent cover

| | | | | | | | | | | |
|---------------|------------|-----|-----|------|-----|-------------------|--------|----|-------------|-------------|
| MG-P69X2-20-X | 600*Ø75mm | 20W | 208 | 120° | >80 | 200~240V/100~277V | 30~40V | <4 | 100~120lm/w | 2000~2400lm |
| MG-P69X4-36-X | 1200*Ø75mm | 36W | 312 | 120° | >80 | 200~240V/100~277V | 30~40V | <4 | 100~120lm/w | 3600~4300lm |
| MG-P69X5-45-X | 1500*Ø75mm | 45W | 416 | 120° | >80 | 200~240V/100~277V | 30~40V | <4 | 100~120lm/w | 4500~5400lm |

Premium lumen version>>>>>120~130lm/w with frosted cover, 130~140lm/w with transparent cover

| | | | | | | | | | | |
|---------------|------------|-----|-----|------|-----|-------------------|--------|----|-------------|-------------|
| MG-P69X2-20-X | 600*Ø75mm | 20W | 208 | 120° | >80 | 200~240V/100~277V | 30~40V | <4 | 120~140lm/w | 2400~2800lm |
| MG-P69X4-36-X | 1200*Ø75mm | 36W | 312 | 120° | >80 | 200~240V/100~277V | 30~40V | <4 | 120~140lm/w | 4300~5000lm |
| MG-P69X5-45-X | 1500*Ø75mm | 45W | 416 | 120° | >80 | 200~240V/100~277V | 30~40V | <4 | 120~140lm/w | 5400~6300lm |

Different wattage can be customized.

Flexibility in connections

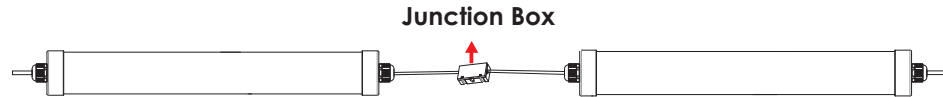
Option A



■ Single connection



■ Series connection



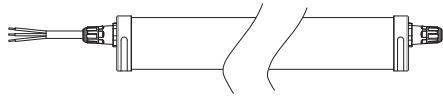
Fit for single or series connection

Option B



Cable self-mounted wiring. Compatible with both single and series connection.

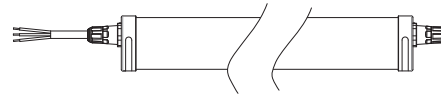
Non Dimmable Tri-proof LED Lamp



(EU market-3 pole cable) (US market-3 pole cable)

| | | |
|----|--------------|-------|
| L: | Brown | Black |
| N: | Blue | White |
| E: | Yellow-Green | Green |

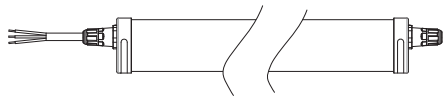
0/1-10V Dimmable Tri-proof LED Lamp



(EU market-5 pole cable) (US market-5 pole cable)

| | | |
|-------|--------------|--------|
| L: | Brown | Black |
| N: | Blue | White |
| E: | Yellow-green | Green |
| DIM+: | Black | Red |
| DIM-: | Gray | Orange |

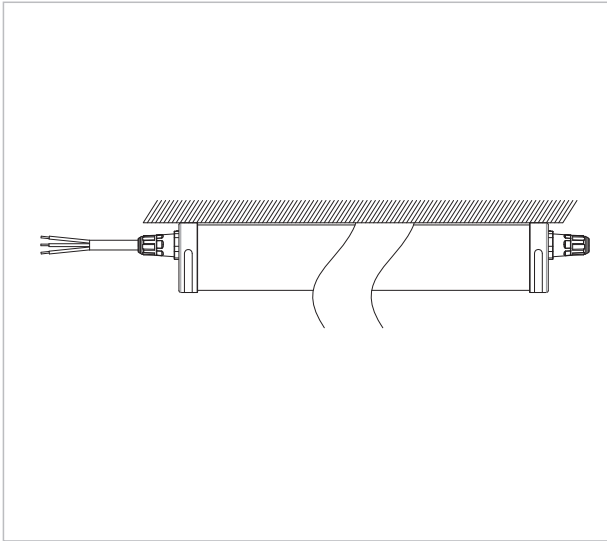
DALI Dimmable Tri-proof LED Lamp



(EU market-5 pole cable) (US market-5 pole cable)

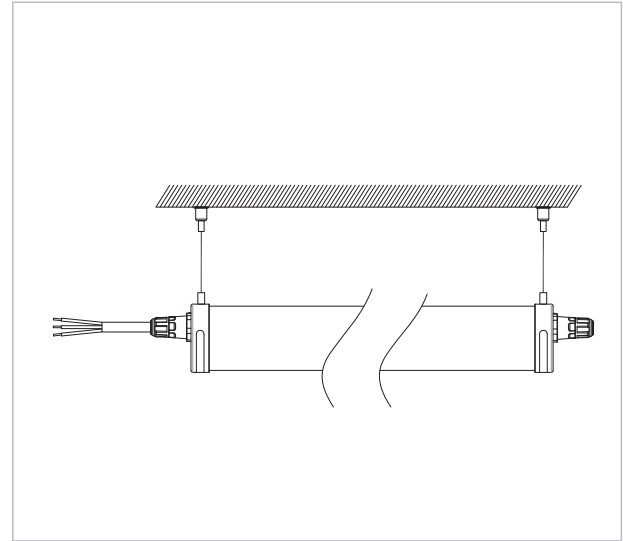
| | | |
|-----|--------------|--------|
| L: | Brown | Black |
| N: | Blue | White |
| E: | Yellow-green | Green |
| DA: | Black | Red |
| DA: | Gray | Orange |

Ceiling Mounted Installation



* Standard configuration

Suspended Installation



* Suspended accessories need to be paid additionally